

## Fire alarm bell



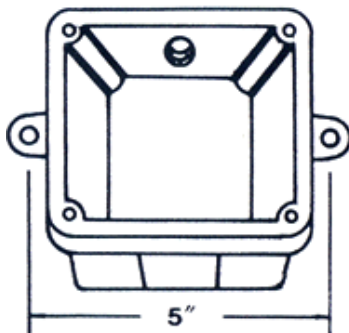
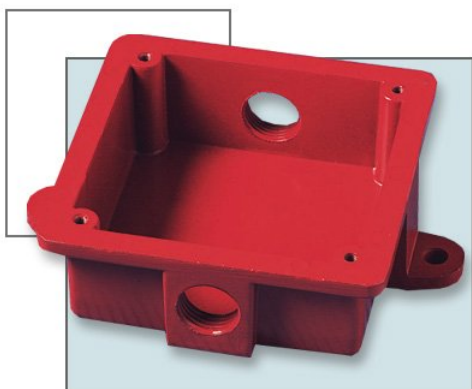
Model No	Adopted voltage	Adopted current	Volume at 1meter	Driving way	Size and weight
HC-4006	DC-6V	250mA	75db	Coil	122mm X 50mm 430g
HC-4012	DC-12V	180mA		Coil	
HC-4024	DC-24V	100mA		Coil	
HC-4120	AC-120V	25mA	75db	Coil	
HC-4220	AC-220V	20mA		Coil	
HC-4012B	DC-12V	35mA	75db	Motor	360g
HC-4024B	DC-24V	20mA		Motor	

## Fire alarm bell

Model No	Adopted voltage	Adopted current	Volume at 1meter	Driving way	Size and weight
HC-1006	DC-6V	250mA	96db	Coil	6" 150mm 1kg
HC-1012	DC-12V	180mA		Coil	
HC-1024	DC-24V	100mA		Coil	
HC-1120	AC-120V	25mA	97db	Coil	8" 200mm 1.2kg
HC-1220	AC-220V	20mA		Coil	
HC-612B	DC-12V	35mA	96db	Motor	10" 250mm 1.5kg
HC-624B	DC-24V	20mA		Motor	



## Back Box



Specifications		Diameter of hole
American-sized	One hole	20mm
	Two holes	
European-sized	One hole	19mm
	Two holes	