

FN-600ULX Data Sheet

Rev. DSN-600ULX - J24E



Overview

- This power supply/charger converts a 115VAC / 60Hz input, to a 12VDC or 24VDC regulating output.

FN-600ULX

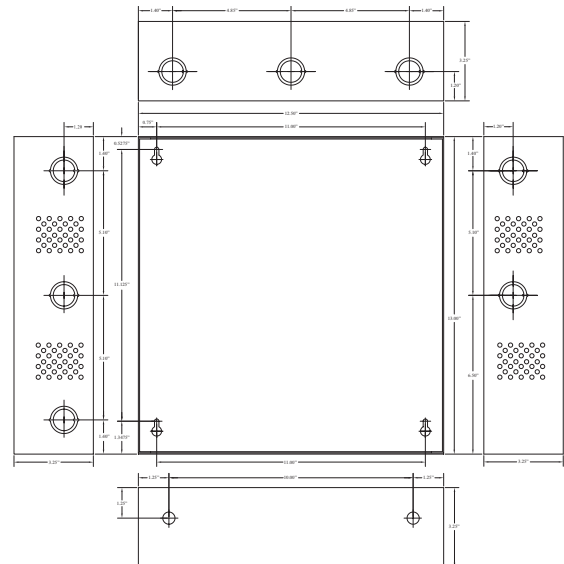
- 12VDC or 24VDC @ 6 amp supply current.

Specifications

- Input 115VAC / 60Hz, 1.9 amp.
- 12VDC or 24VDC selectable output.
- Single Class 2 Rated power limited output.
- Input fuse rated @ 3.5 amp/250V.
- Filtered and electronically regulated output.
- Short circuit and thermal overload protection.
- AC fail supervision (form "C" contacts).
- Low battery supervision (form "C" contacts).
- Battery presence supervision (form "C" contacts).
- Built-in charger for sealed lead acid or gel type batteries.
- Automatic switch over to stand-by battery when AC fails.
- Maximum charge current .7 amp.
- Zero voltage drop when switched over to battery backup.
- AC input and DC output LED indicators.
- Accommodates up to two (2) 12VDC/7AH batteries.
- Power supply, enclosure, cam lock and battery leads.

Enclosure Dimensions

13"H x 13.5"W x 3.25"D



Agency Approvals



UL 294 UL Listed for Access Control System Units.
UL 1481 UL Listed Standard for Safety for Fire Protective Signaling Systems



MEA - NYC Department of Buildings Approved.



CSFM - California State Fire Marshal Approved.



FM - Factory Mutual Approved.