

## Conventional Detector Bases

### NS6 AND NS4 SERIES BASE



NS Series Bases	Alarm Current	ID
NS6-224 OR NS4-224	43mA (70mA @ 33.0V MAX)	HB-5
NS6-220 OR NS4-220	93mA (136mA @ 33.0V MAX)	HB-3
NS6-221 OR NS4-221	46mA (77mA @ 33.0V MAX)	HB-4
NS6-100* OR NS4-100*	150mA @ 15.0 - 33.0V MAX	HB-55

\* Requires external current limiting to 150mA maximum.

### HSC- (X)R RELAY BASE & HSC- 4R 4 WIRE BASE



2 Wire Auxilliary Relay Bases	Alarm Current	ID
HSC-224R	43mA (58mA @ 30.0V MAX)	HB-73
HSC-220R	88mA (98mA @ 26.5V MAX)	HB-72
HSC-221R	49mA (62mA @ 30.0V MAX)	HB-71
4 Wire Base	Alarm Current	ID
HSC-4R	43mA (58mA @ 30.0V MAX)	N/A
HSC-4R12	47mA (75mA @ 18.0V MAX)	N/A

### HSC- (X) L LATCHING LED BASE



2 Wire Latching	Alarm Current	ID
HSC-224L	35-42mA @ 24V (54mA MAX)	HB-62
HSC-220L	67-80mA @ 24V (88.5mA @ 26.5VDC MAX)	HB-64
HSC-221L	37-45mA @ 24V (57mA MAX)	HB-63

The NS6 and NS4 Series is designed specifically for use with HOCHIKI Conventional Models SIJ-24 Ionization Smoke Detector, SLR-24V Photoelectric Smoke Detector, SLR-24H Photoelectric with Heat Smoke Detector, SLR-835 Photoelectric Smoke Detector, SLR-835H Photoelectric Smoke Detector w/heat, or DCD-135/190 Fixed Temperature/Rate-of-Rise Heat Detector. The Base is an electronics free 6" base featuring a plastic tamper-lock lug. Each base is equipped with a resistor. Refer to the chart (left) for additional specifications. The NS4 base is a 4" version of the NS6 base.

Models HSC-224R, HSC-220R and the HSC-221R are designed specifically for use with the HOCHIKI Conventional Models SIJ-24, SLR-24V, SLR-24H, SLR-835, SLR-835H or DCD-135/190. The HSC-(X)R series is a 6" base with two sets of Form "C" relay contacts.

Models HSC-224R, HSC-220R and the HSC-221R are also approved for use with HOCHIKI previous Conventional Models SIH-24F, SLK-24F, SLK-24FH and the DFE 135/190.

The HSC-4R is designed specifically for 24 volt 4 wire applications using HOCHIKI Conventional Models SIJ-24, SLR-24V, SLR-24H, SLR-835, SLR-835H or DCD-135/190. The 6" diameter base is current limited. Relay contact place a direct short occurs across the loop when the detector is actuated.

Model HSC-4R is also approved for use with previous HOCHIKI Conventional Models SIH-24F, SLK-24F, SLK-24FH and the DFE 135/190.

The HSC-4R12 is designed specifically for 12 volt 4 wire applications using HOCHIKI Conventional Models SLR-835, SLR-835H. The 6" diameter base is current limited. Relay contact place a direct short occurs across the loop when the detector is actuated.

Model HSC-4R12 is also approved for use with previous HOCHIKI Conventional Models SLK-835, SLR-835, and SLR-835H.

The HSC-L Base Series is designed specifically for use with the HOCHIKI Fixed Temperature Heat Detectors Models DFE-135/ 190.

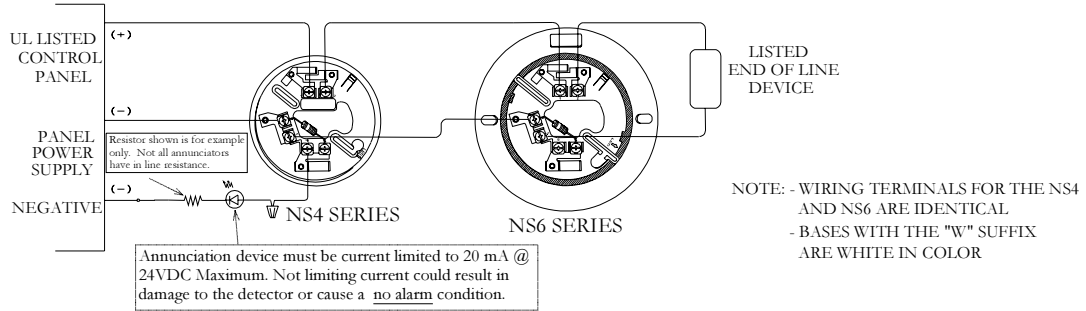
The HSC-L Series is a 6" base featuring a current limiting resistor, latching annunciator output and a latching circuit so the alarm LED will remain lit until the control panel has been reset.

*We try to keep our product information up-to-date and accurate. However, we cannot cover all specifications or anticipate all requirements. For additional information contact your local distributor or Hochiki America Corporation.*

# Conventional Detector Bases

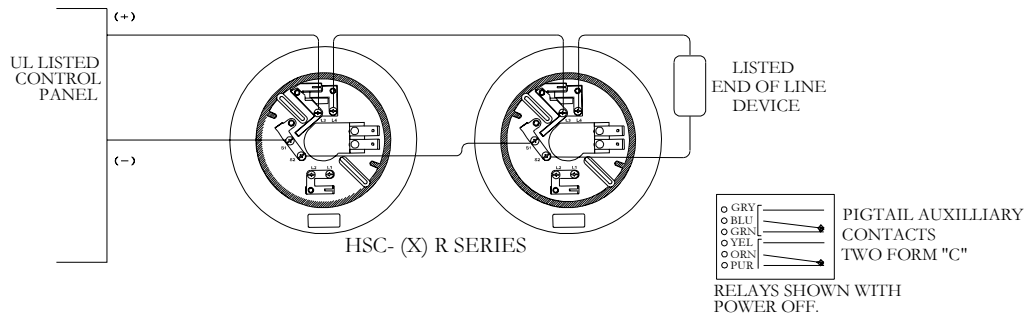
## NS4 AND NS6 SERIES BASE

### 2-WIRE OPERATION



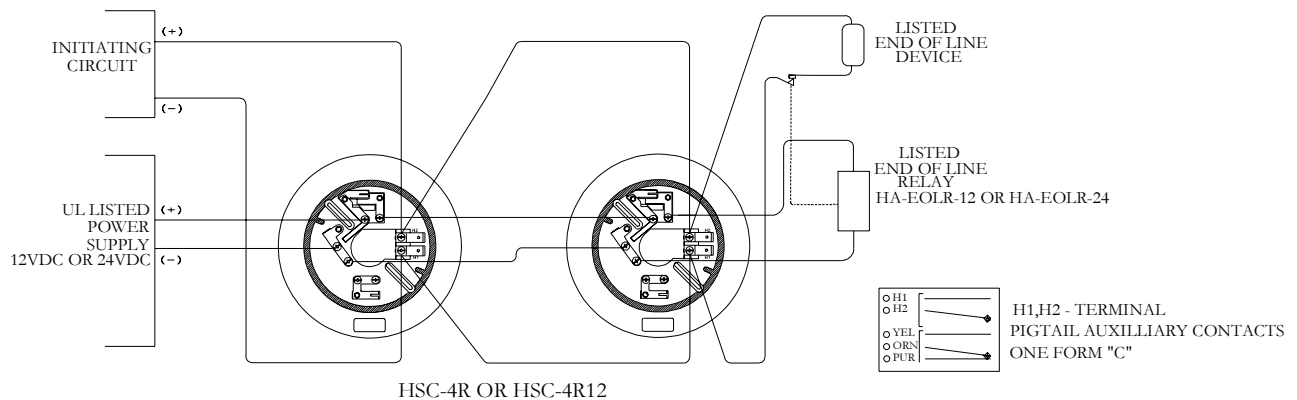
## HSC-(X)R RELAY BASE

### 2-WIRE OPERATION



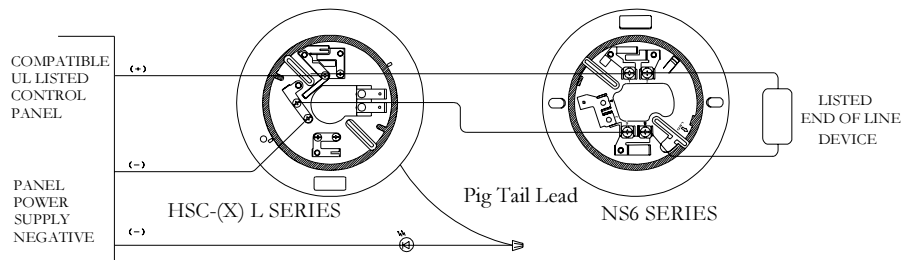
## HSC-4R FOUR WIRE BASE

### 4-WIRE OPERATION



## HSC- (X) L LATCHING LED BASE

### 2-WIRE OPERATION



We try to keep our product information up-to-date and accurate. However, we cannot cover all specifications or anticipate all requirements. For additional information contact your local distributor or Hochiki America Corporation.