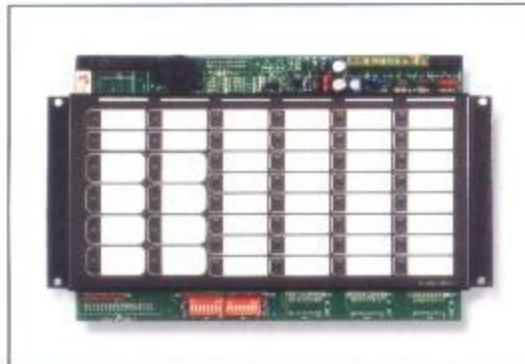
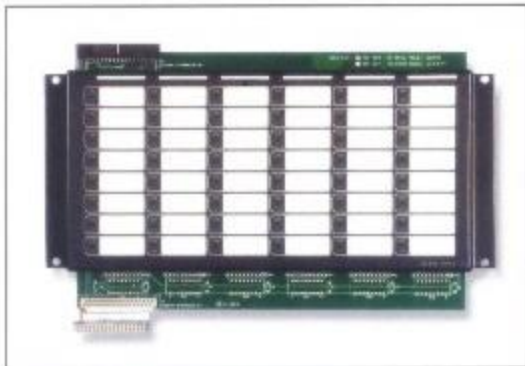


## HRA-1000 REMOTE ANNUNCIATORS



**HRAM-1032**



**HRAX-1048**

### STANDARD FEATURES

- Large capacity of annunciation
- Bi-Colored LEDs
- Slide-in labels for each display point
- Sealed membrane-like buttons and LED indicators
- Each annunciation point is automatically selected for either Alarm (Red) or Supervisory (Amber) to match the HCP-1000 Fire Alarm Panel configuration
- LEDs for A.C. On, Common Trouble, Remote Failure, Aux. Disconnect, Acknowledge, General Alarm, Signal Silence and Test/Config Mode
- Controls for System Reset, Lamp Test, Fire Drill, Aux. Disconnect, Buzzer Silence, Signal Silence, General Alarm and Acknowledge
- Three sizes of enclosures

### SPECIFICATIONS

HBB-1001 Enclosure	9¼"H x 13¼"W x 1¼"D
HBB-1002 Enclosure	16¼"H x 13¼"W x 1¼"D
HBB-1003 Enclosure	23¼"H x 13¼"W x 1¼"D

*Specifications subject to change without notice.*

### HRAM-1032- Main Annunciator Chassis

The HRAM-1032 Main Annunciator Chassis is an expandable module used in the HRA-1000 Series Remote Annunciators to provide control, indication of common annunciator functions and up to 32 points of annunciation. The HRAM-1032 comes standard with Bi-colored LEDs which are automatically configured for either alarm (Red) or Supervisory (Amber) to match the HCP-1000 Fire Alarm Control Panel configuration. Each display point can be identified by the slide-in label that slides in beside the LED. Equipped with sealed membrane-like buttons and LED indicators, the HRAM-1032 has a Local Buzzer as well as indicators for A.C. On, Common Trouble, Remote Failure, Aux. Disconnect, Acknowledge, General Alarm, Signal Silence and Test/Configuration mode. In addition it has controls for System Reset, Lamp Test, Fire Drill, Auxiliary Disconnect, Buzzer Silence, Signal Silence, General Alarm and Acknowledge. It occupies one slot in the HBB-1000 enclosures.

### HRAX-1048 - Adder Annunciator Chassis

The HRAX-1048 Adder Annunciator Chassis is used in the HRA-1000 Series Remote Annunciators to provide 48 additional points of annunciation. The HRAX-1048 is an expandable annunciator module which can be connected to an HRAM-1032. A maximum of four HRAX-1048 can be connected to the HRAM-1032 Main Annunciator Chassis. As with the HRAM-1032 Main Annunciator Chassis, the HRAX-1048 has Bi-colored LEDs which are automatically configured for either Alarm (Red) or Supervisory (Amber) to match the HCP-1000 Fire Alarm Control Panel configuration. Each display point can be identified by the slide-in label that slides in besides the LED. It occupies one slot in the HBB-1000 enclosures.

Continued on back.

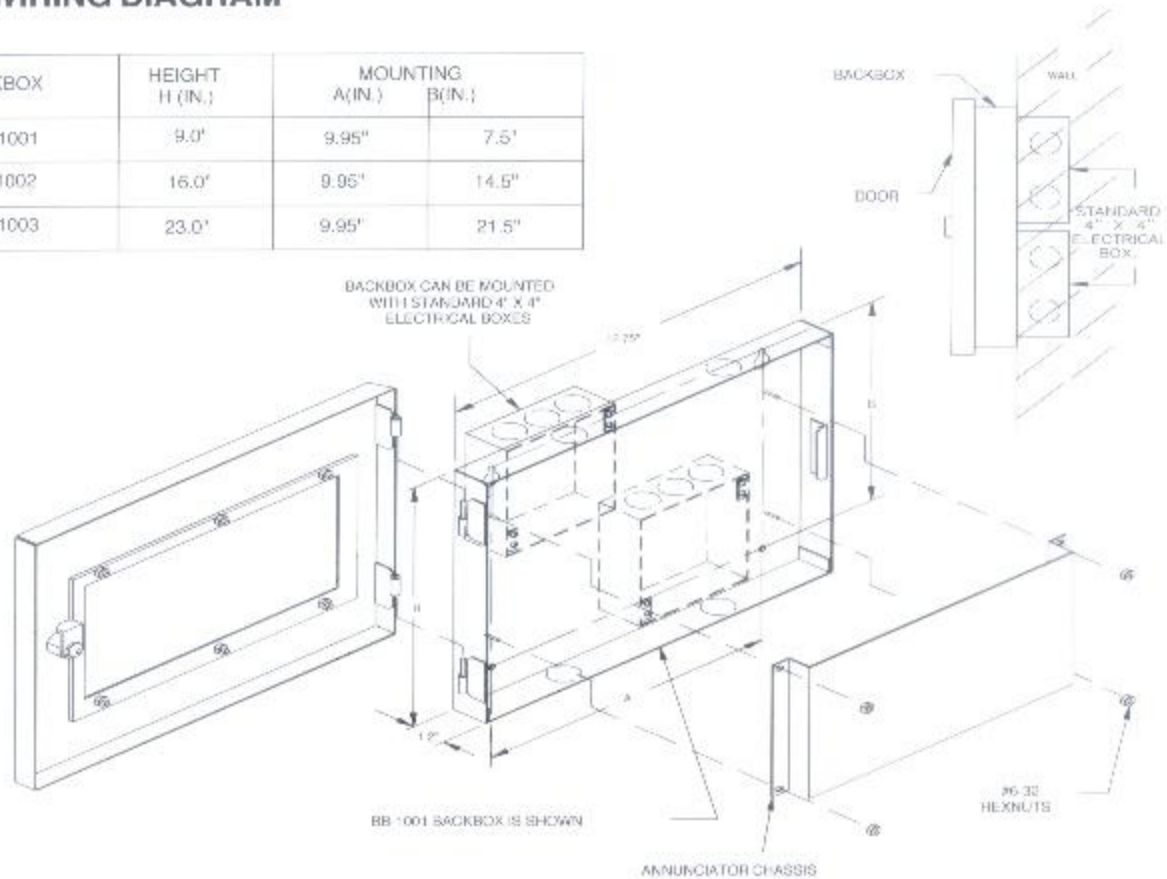
### PRODUCT LISTINGS

Underwriters Laboratories: S5694

CSFM #: 7120-0410:157

## TYPICAL WIRING DIAGRAM

BACKBOX	HEIGHT H (IN.)	MOUNTING A(IN.) B(IN.)	
HBB-1001	9.0"	9.95"	7.5"
HBB-1002	16.0"	9.95"	14.5"
HBB-1003	23.0"	9.95"	21.5"



## ORDERING INFORMATION

**Model**            **Description**

### Modules

HRAM-1032    Main Annunciator Chassis comes with Common Control Features, Indicators and 32 Bi-Colored LEDs

HRAX-1048    Adder Annunciator Chassis comes with 48 Bi-Colored LEDs

### Backboxes

HBB-1001    Annunciator backbox with keylock door (Houses 1 module)

HBB-1002    Annunciator backbox with keylock door (Houses 2 modules)

HBB-1003    Annunciator backbox with keylock door (Houses 3 modules)